

FEATURED MODEL

157-183-CB BLANCOTORINO™ Kitchen Faucet in Café Brown

ADDITIONAL MODELS

157-183-CR Polished Chrome

157-183-ST Stainless

FEATURES

- Solid brass body with pull-out spray
- Ceramic disc cartridge
- Color coded hot & cold supply lines
- Durable spiral flexible pull-out spray hose
- Taller height
- Maximum 2.2 G.P.M. flow rate
- Installation in a 1-3/8" hole

CODE/STANDARDS COMPLIANCE

ASME A112.18.1-2005

NSF 61 certified in conformance to the Uniform Plumbing Code (UPC)

WARRANTY

Blanco America's Kitchen faucets in Chrome and Stainless feature a LIMITED LIFETIME WARRANTY to be free of all manufacturing defects under normal use. 5-YEAR LIMITED WARRANTY on Café Brown. See our complete warranty for details.

While Blanco America endeavors to provide accurate information, all dimensions are nominal, cannot be guaranteed, and are subject to change or cancellation. Blanco America assumes no responsibility for use of superseded or voided specifications.

PRODUCT SPECIFICATION

Kitchen faucet to include lever handle and pull-out spray, with solid brass body and ceramic disc cartridge. Faucet dimensions to be as follows: Reach: 7-3/4"; Spout Height: 6-7/8", and Faucet Height: 8-1/2". Hot and cold supply lines to be color coded. Kitchen faucet to be BLANCOTORINO™, Model 157-183-_____ in _____ finish.

Polished Chrome 157-183-CR

Stainless 157-183-ST

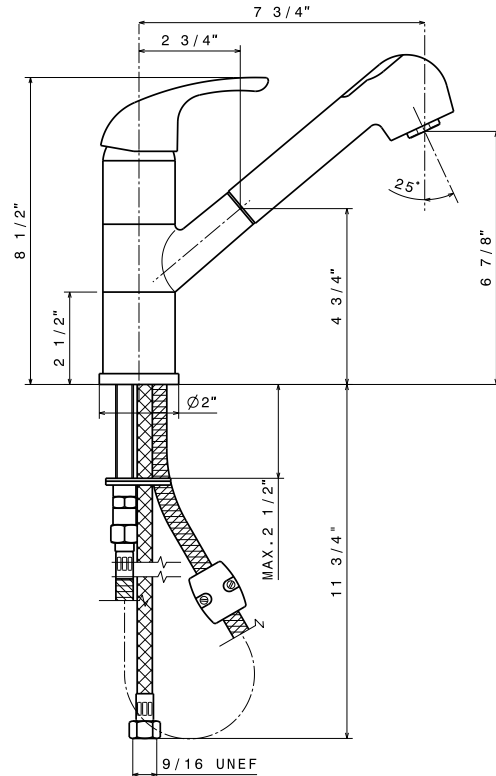
Café Brown 157-183-CB



MODEL 157-183

NOMINAL DIMENSIONS

MODEL	REACH	SPOUT HEIGHT	FAUCET HEIGHT
157-183	7-3/4"	6-7/8"	8-1/2"



JOB INFORMATION

Job Name: _____

Contact: _____

Date Specified: _____

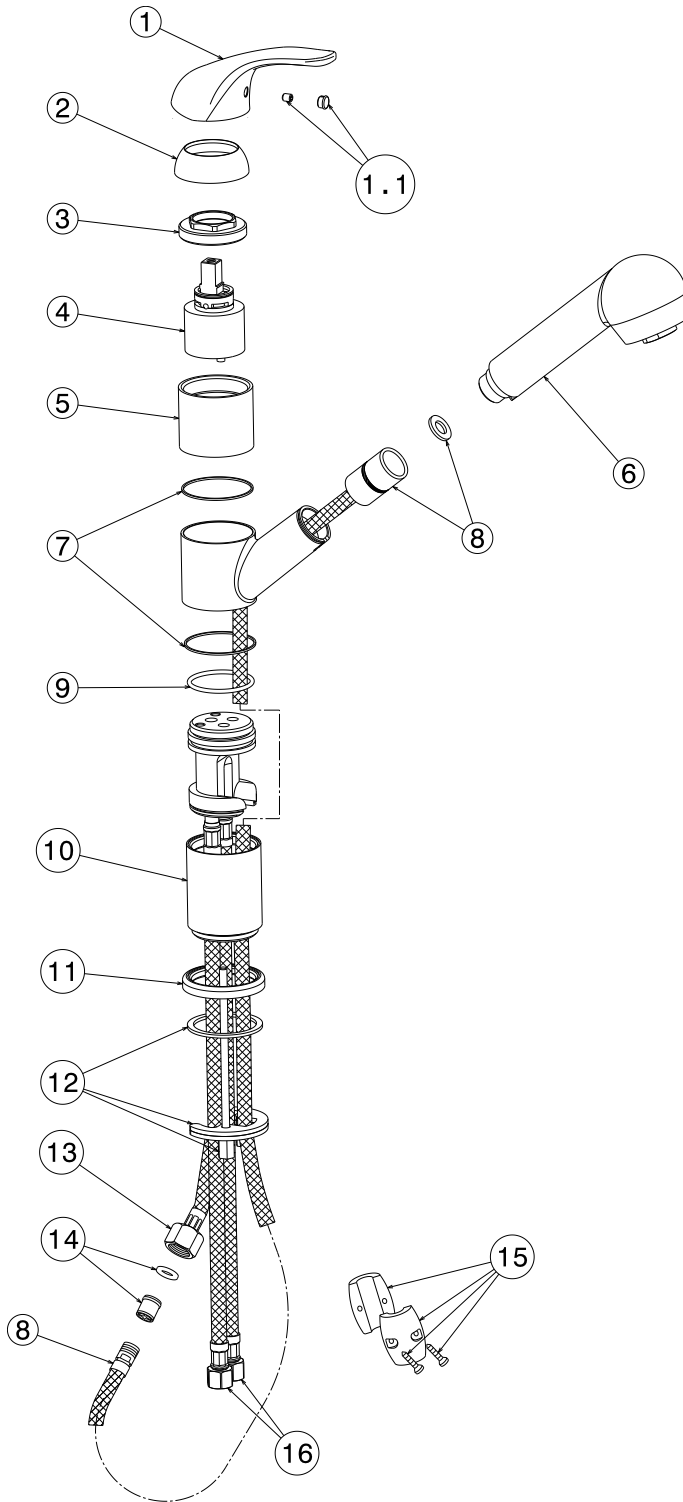
Specifier: _____

Contractor: _____

See next page for exploded parts drawing and parts list.

BLANCO AMERICA
800.451.5782
www.blancoamerica.com

BLANCOTORINO™ MODEL 157-183



NUM.	PART #	DESCRIPTION
1	16339	LEVER
1.1	16309	SCREW+CAP FOR LEVER
2	16319	LOCK NUT COVER
3	16317	CARTRIDGE LOCK NUT
4	16318	CARTRIDGE
5	13202	BUSH
6	16323	SPRAY HEAD
7	13204	PLASTIC RINGS FOR SPOUT
8	15120	SPRAY FLEXI-HOSE
9	10987	O-RING
10	13206	BODY SLEEVE
11	13205	BASE
12	12352	MOUNTING SET
13	15052	SPRAY FLEXI-HOSE
14	15710	NO-RETURN VALVE
15	11960	WEIGHT
16	15051	FLEXI-HOSES